

'HUGO Ambience'

LED Wall Mounted Over Bed Light
Designed for Healthcare

www.lipmedical.com



The future looks good.


LIP MEDICAL
HEALTHCARE DESIGN



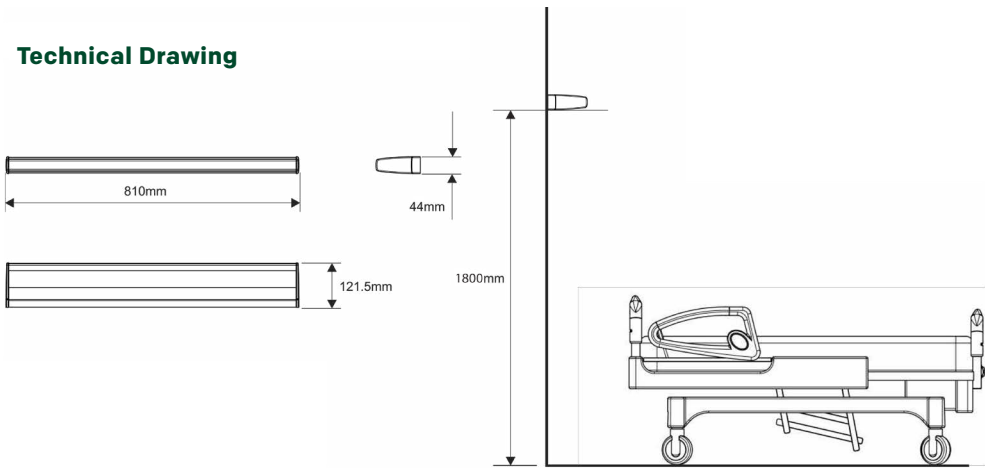
Features

A stylish sleek LED over bed light with minimal surface area for patient room lighting.

Reading Light
Room/ Uplight

The Hugo Ambience provides two light sources, the lower light illuminates the bed surface with sufficient light for the task of reading. The upper light provides illumination of the room. The patient can have control of the reading light through the use of a control on the nurse call system. The room light can be controlled by the medical staff at the ward / room entrance or on the bedhead units. Using a track system, multiple lights can be fitted in a continuous length.

Technical Drawing



Front View

Side View

Specifications:

LED Wall Mounted Over Bed Light

Construction: Aluminium extrusions. Plastic moulded end caps

Surface Finish: Natural Anodised 25µ

Installation Position: Wall mounted

Service Entry: Via recessed wall-box

Luminaire Power: Room/Uplight 23.6W

Luminaire Power: Reading Light 12.7W

Input: 220 - 240V - **Output:** 700mA - **Voltage:** 27 - 54V

Control Gear: Constant Current LED Power Supply

Control Switch: Positioned on Bedhead Unit / Room

Illumination - Room Light: 4000 Lumen LED Room-Light / Power 23.6W / Colour temperature 4000k / >45 000hrs

Illumination - Reading Light: 2200 Lumen LED Room-Light / Power 12.7W / Colour temperature 3000k / >45 000hrs

Optics: Asymmetric lens used on room and reading light to direct light outwards

Product Weight: 810mm x 44mm x 122mm

Product Weight: 2.9Kg

T: 01244 288 299
enquiries@lipmedical.com

Office

Unit 60 AML Zone 2, Deeside Industrial Estate, Third Avenue, Deeside, Flintshire, CH5 2LA

